

Straight Cup Impactor – Technical Guide

Contents

Overview.....	1
Components & Features.....	2
Important Information.....	3
Assembly.....	4
Cup Attachment.....	5
Visualisation.....	6
Cup Detachment.....	7
Catalogue.....	8
Nota Bene.....	9

Overview

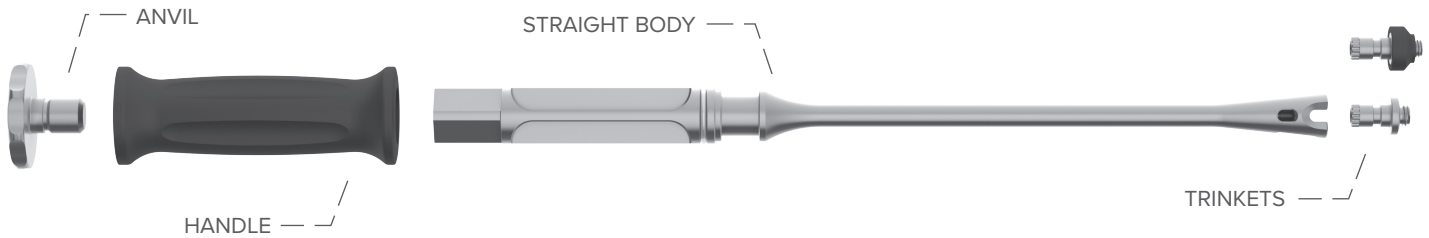
The Enztec Straight Cup Impactor offers a quick-connect trinket for effortless detachment from the cup, allowing you to inspect with ease before final impaction.

It's simple, intuitive design is compatible with a wide range of acetabular cups or can be adapted to fit specific cups, ensuring seamless integration. Trinkets are interchangeable with the Enztec Classic Offset Cup Impactor X.



Components & Features

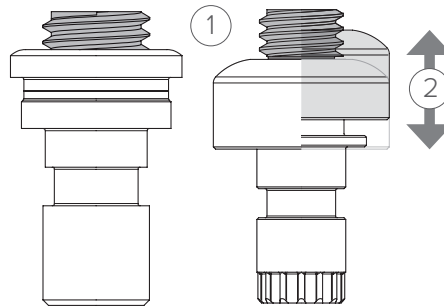
The Enztec Straight Cup Impactor consists of the Straight Body, Trinket, Handle and Anvil.



Trinket Lifetime

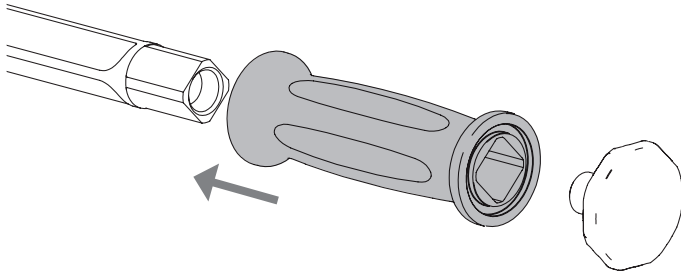
Important:

1. Inspect the Trinket thread for damage prior to use. Trinkets must be discarded after 12 months of use or earlier if damaged.
2. Cleaning – Actuate while rinsing, thoroughly flush difficult to reach areas.

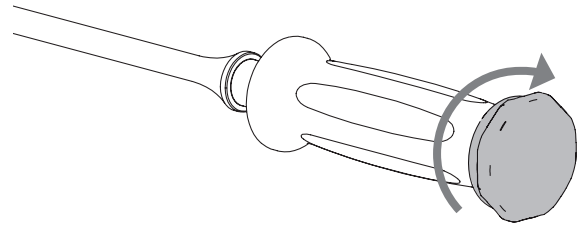


Assembly

Slide the Handle onto the Body.

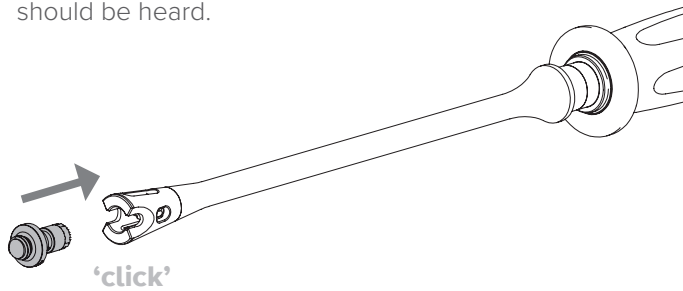


Once the Handle is secured, insert the Anvil; turn clockwise until secure.

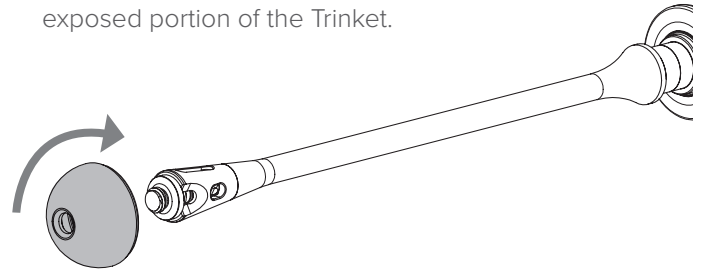


Cup Attachment

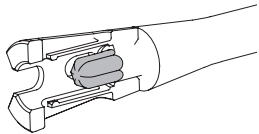
- 1) Push the Trinket into the distal end. An audible click should be heard.



- 2) Attach the acetabular cup by screwing it onto the exposed portion of the Trinket.

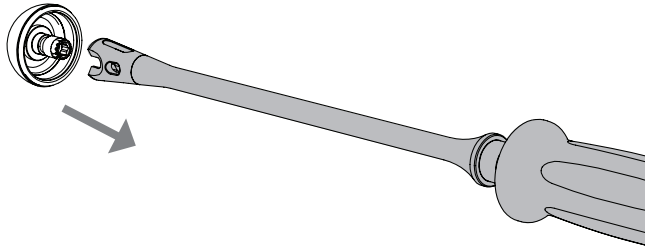


Note: Trinket rotation relative to the inserter is constrained by the internal hex feature. If the Trinket does not fully engage, rotate slightly to align the internal hex features and push together.

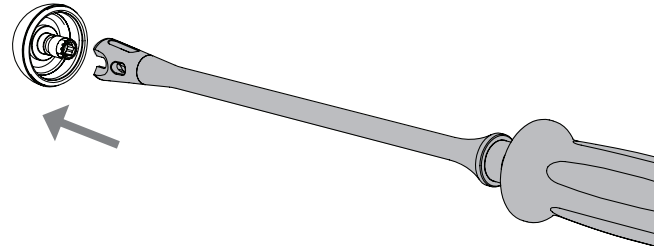


Visualisation

1) Pull the Straight Cup Impactor away from the cup.

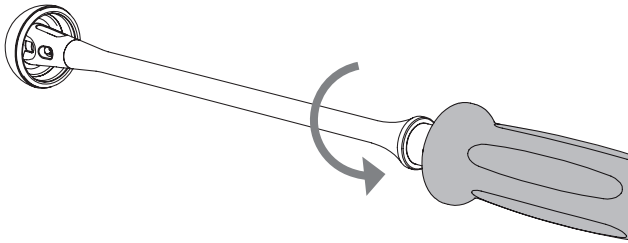


2) Once visualisation is complete reattach the Straight Cup Impactor to the Trinket by pushing it together.

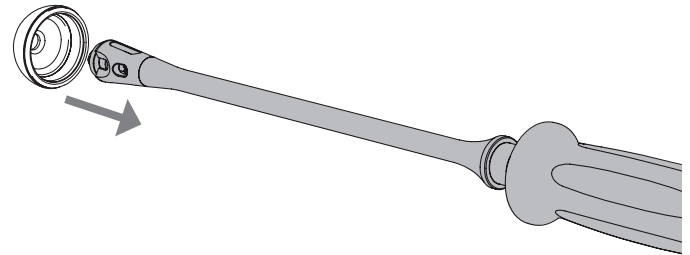


Cup Detachment

- 1) Rotate the Straight Cup Impactor anti clockwise to unthread the Trinket from the cup.



- 3) Withdraw the Straight Cup Impactor and Trinket from the acetabular cup.



Straight Cup Impactor Body

4252-2400	Straight Cup Impactor
-----------	-----------------------

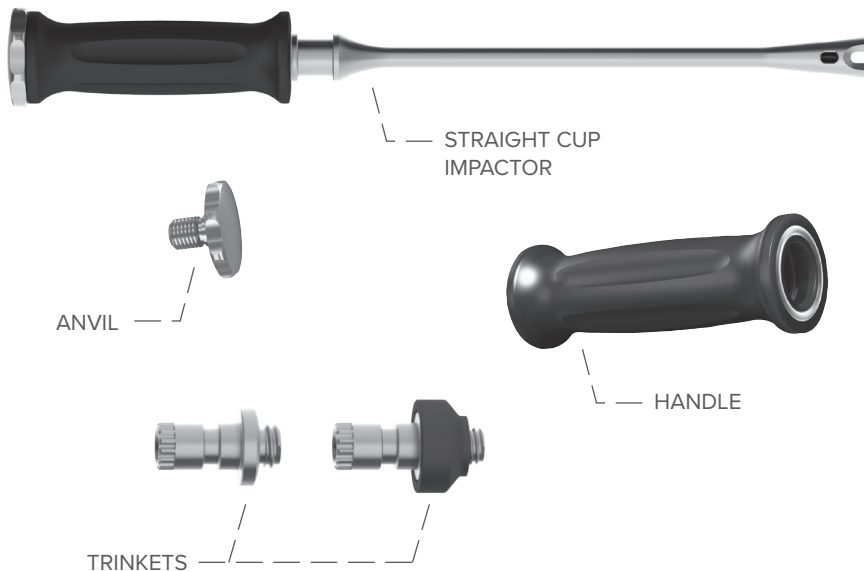
Replacement Parts

4252-23XX	Trinket
-----------	---------

4252-2312	Handle
-----------	--------

4252-2313	Anvil
-----------	-------

A standard range of Trinkets are available, to fit any threaded acetabular cup.



Nota Bene

A surgeon must always rely on his or her own professional clinical judgment when deciding which products and/or techniques to use on individual patients. Enztec is not dispensing medical advice and recommends that surgeons be trained in orthopaedic surgeries before performing surgeries.

The information presented is intended to demonstrate the breadth of Enztec product offerings. Always refer to the package insert, product label and/or user instructions before using any Enztec product. Products may not be available in all markets. Product availability is subject to the regulatory or medical practices that govern individual markets. Please contact your Enztec representative if you have any questions about the availability of Enztec products in your area.

Enztec own, use or have applied for the following trademarks or service marks: Enztec.



Enztec Limited
3/17 Print Place
Middleton
Christchurch, 8024
New Zealand

© 2024 Enztec Limited
All rights reserved.

Contact:

Enztec Limited
P.O.Box 31029, Ilam
Christchurch, 8444
New Zealand
Ph: + 64 3 348 0203
W: www.enztec.com

Part No: 12019-00; Rev: 1

 **enztec**