

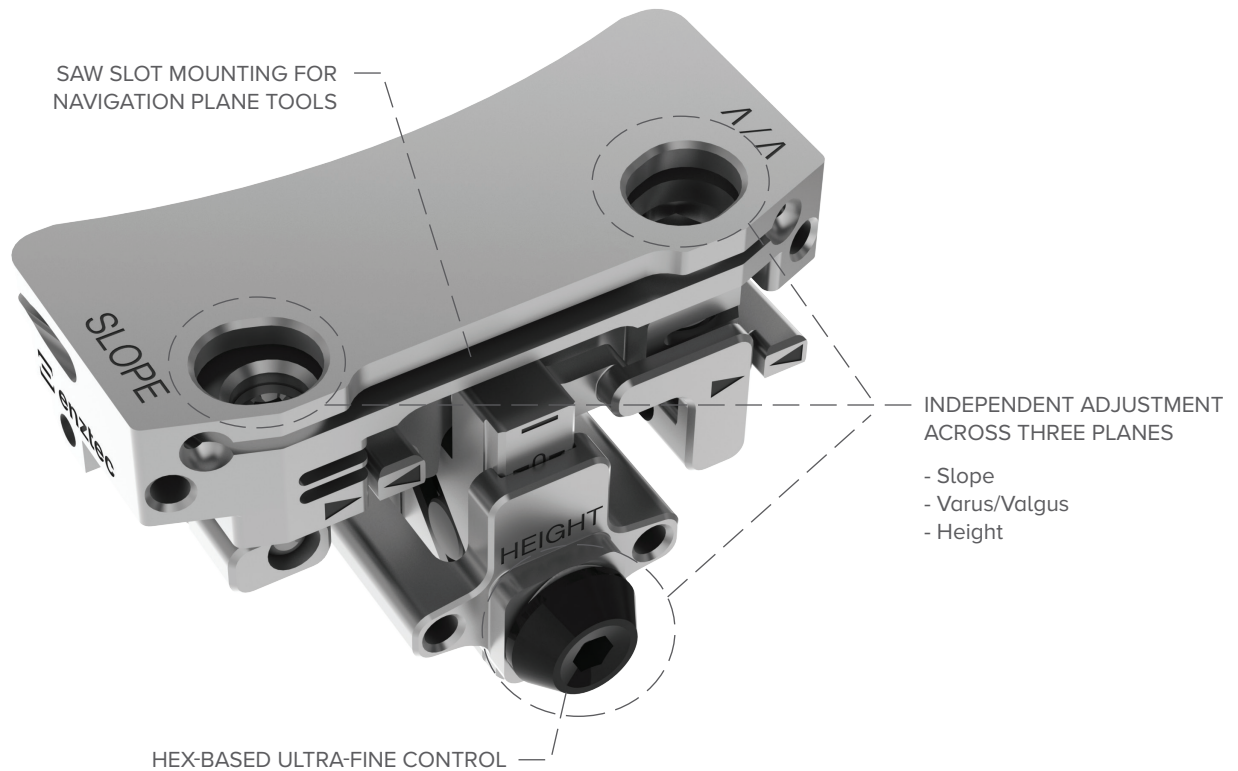
Adjustable Cutting Block

Ultra-fine control in a compact design.

The Enztec Adjustable Cutting Block is engineered to enable precise, efficient adjustments during Tibial and Femoral resection.

Its hex adjustment mechanism ensures ultra-fine control, eliminating free play and accidental changes. Each plane adjusts independently, providing control of varus/valgus, slope, and resection height.

Compatible with navigation plane tools, the Enztec Adjustable Cutting Block offers a streamlined, compact design that delivers the control and confidence to optimize cuts with speed and precision.



Features

- Compatible with navigation systems
- Precise, easy and independent adjustment:
 - Height +/- 5mm
 - Varus/Valgus +/- 5 degrees
 - Slope +/- 5 degrees
- Compact yet robust design ensures stability once positioned
- Supports 1.27mm or 1.37mm saw blade options

Specifications

- Materials: Stainless Steel, PEEK
- Weight: 170g / 0.4lbs
- Width: 70mm / 2.6in
- Height: 40mm / 1.6in
- Depth: 40mm / 1.6in
- Add your logo: available