

# Kinematic Alignment Caliper

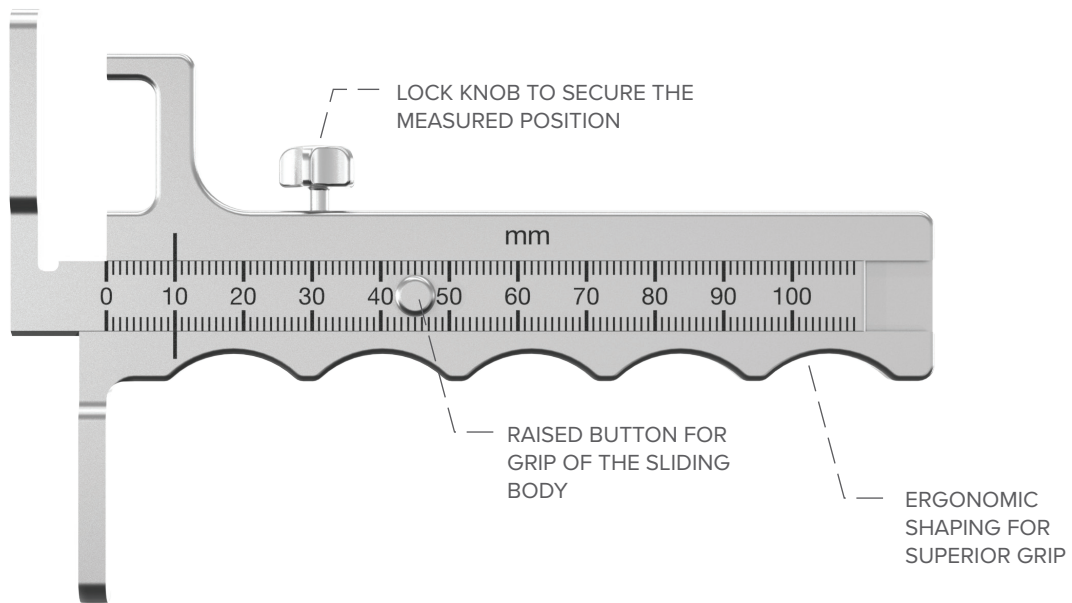
## Precise and reliable measurement.

Thoughtfully engineered for a range of applications, the Enztec Kinematic Alignment Caliper measures on a sliding scale from 0mm to 100mm making it ideal for tasks like measuring the thickness of resected bone or measuring the natural anterior-posterior offset.

Ergonomically shaped for a superior grip and designed with accuracy in mind, the caliper includes three jaws that effortlessly gauge critical parameters. A raised button gives grip on the sliding body while positioning and a lock knob firmly secures the sliding body in place, ensuring a stable and reliable reference at all times.

The Enztec Kinematic Alignment Caliper is your trusted tool for precise, reliable measurement.





## Features

- Linear sliding scale for a range of applications (0mm to 100mm)
- Raised button profile to provide grip of the sliding body
- Lock knob to secure the measured position
- Ergonomic shaping for superior grip
- Measurement tolerance +/- 1.0mm

## Specifications

- Materials: Stainless Steel
- Weight: 140g / 0.3lbs
- Length: 125mm / 4.9in
- Add your logo: available