

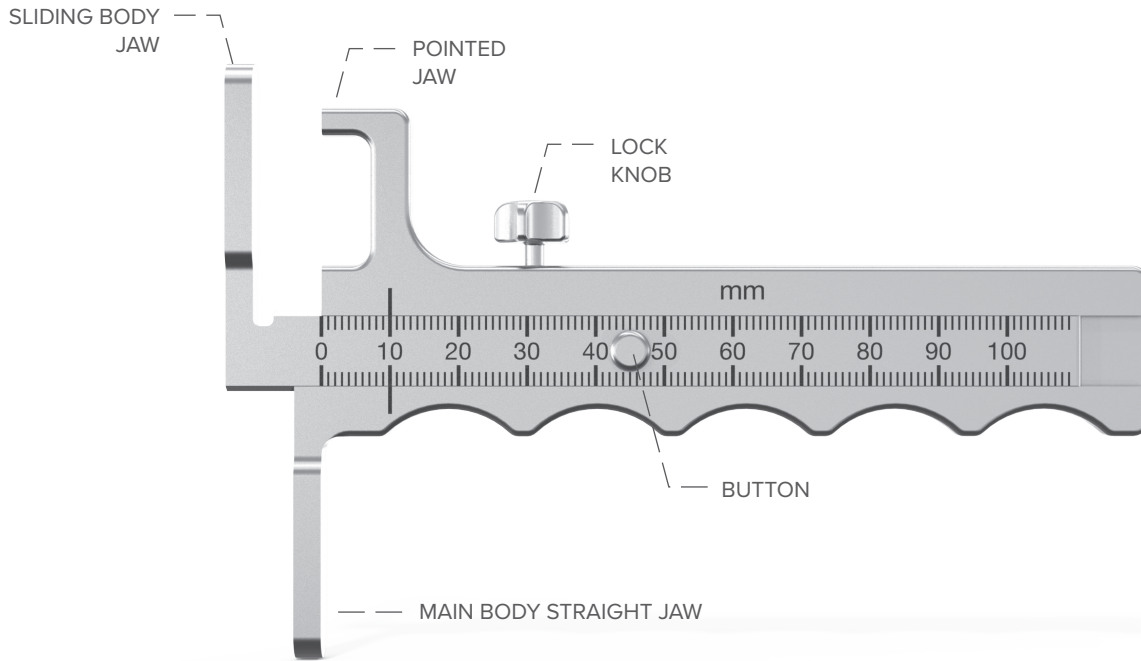
# Kinematic Alignment Caliper

## Your simple, precise tool for Kinematic Alignment

Designed with accuracy in mind, the KA Caliper features three jaws to effortlessly gauge critical parameters during surgery. Measure the thickness of the resected portion of the femur, tibia or patella with ease and determine the natural Anterior-Posterior (AP) offset for precise alignment.

With a measurement scale from 0mm to 100mm, the KA Caliper is suitable for a range of applications. The lock knob guarantees stability, firmly securing the sliding body in place for reliable reference at any time. The locking detail and markings are designed to ensure accuracy. Every detail matters.

Shaped to ensure a superior grip while measuring, you can trust our KA Caliper for precise, reliable measurements, ensuring optimal outcomes.



## Features

- Ergonomic handle ribs for ultimate comfort and grip
- Linear sliding scale (0mm to 100mm)
- Lock knob to secure the measured position
- Raised button profile to provide grip of the sliding body relative to the main body
- Measurement tolerance +/- 1.0mm

## Specifications

- Materials: Stainless Steel
- Weight: 140g/0.3lbs
- Length: 125mm /4.9in
- Add your logo: available